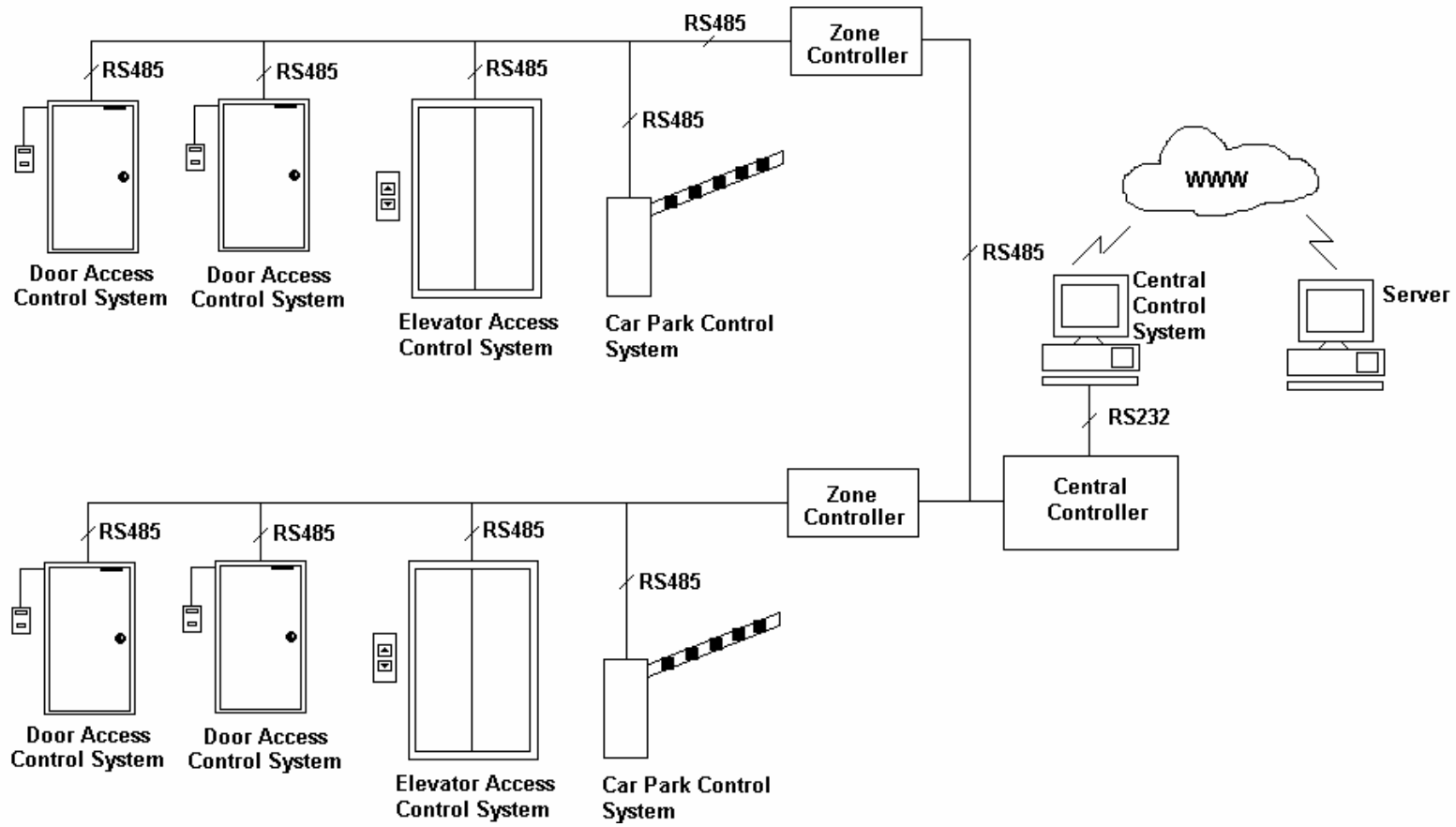


A decorative graphic consisting of a thin yellow circle on the left side. A thick black bracket is positioned on the left, and a thick yellow bracket is on the right, both framing a horizontal bar. The bar has a light green-to-white gradient and contains the title text.

Integrated Security System

- Door Access Control System
- Elevator Access Control System
- Elevator Vandalism Protection System
- Car Park Control System
- Time Attendance System

A Simple Building Integration System Plan



Door Access Control System

- *Application*

- Individual Door Control
- Group Door Control
- Personal Identification & Tracking
- Time Attendance

Door Access Control System

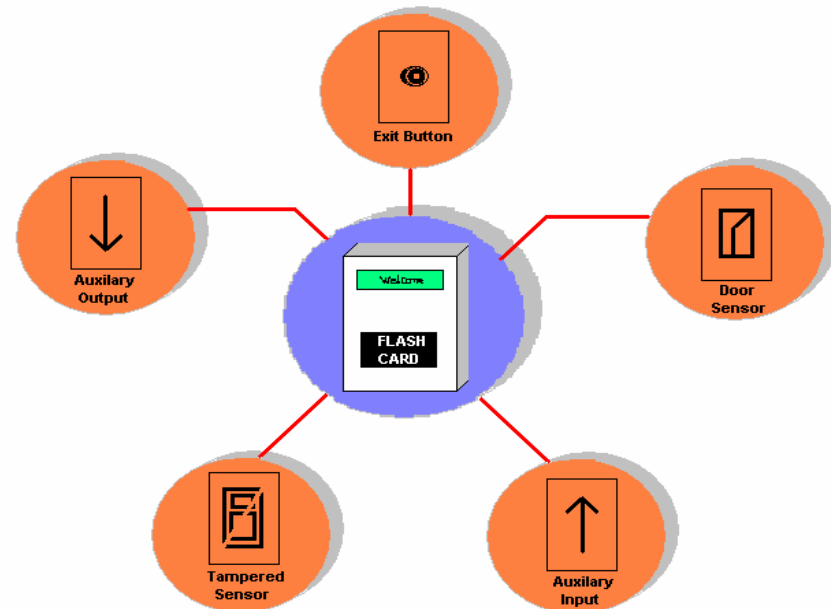
- Features

- Control Door with IN/OUT Readers
- Multiple choice of Reader Technology such as Wiegand, Proximity, Smart Card (Contact, Contact less), Magnetic swipe
- Can work with any Reader with RS232, Wiegand and RS485 Compatible output
- Equipped with a Real Time Clock and Calendar Chip to give accurate Date & Time.
- Can Store 1000 Card IDs (expandable), 1000 most recent transaction can be tracked.

Door Access Control System

- Features

- Easy and User friendly Card Programming
- Equipped with LCD display for User Interaction
- Equipped with Speech module for Audio output
- Network via RS485, RS232



Elevator Access Control System

- *Application*

- Elevator Monitoring
- Automatic / Manual Floor Access Control
- Elevator Usage Control

Elevator Access Control System

- *Features*

- Prevent abuse of Elevator usage
- Manual & Automatic Floor section
- Fail safe operation during Malfunction
- Fireman operation during Fire
- User friendly access card
- LCD display for Visual user interaction
- Speech module for user Audio interaction
- Storage of Maximum 2000 Cards
- User programmable card

[Elevator Access Control System]

- *Features*

- Customizable Card photo Badging
- User Interface software for User friendly Card Management
- Mobile User Interface Kit (MUIK™) for Card Programming

[Elevator Vandalism Protection System]

- CCTV
- Urine Detector
- Vandalism Detector

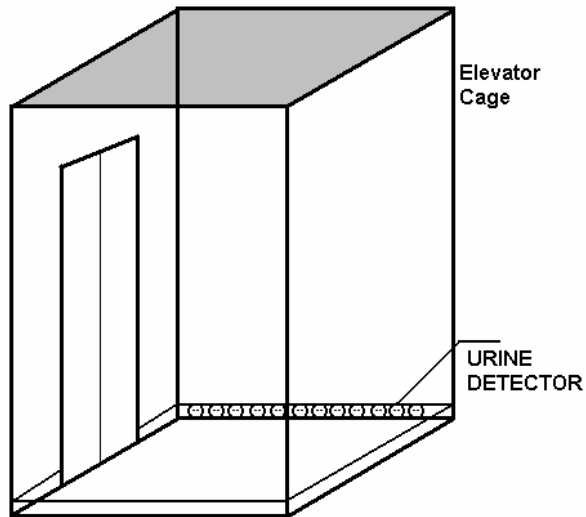
Elevator Vandalism Protection System

-CCTV Features

- Recording Speed is upto 25 frames per second
- Motion Detection Record settings
- Supports multiple types of Camera such as PTZ, Night Dome Camera, Colour Camera
- Allows Playback of recorded videos
- Upto 16 Cameras per system
- Independent Camera settings
- Facilitates the viewing of Live video from a Remote location

Elevator Vandalism Protection System

Urine Detector Features



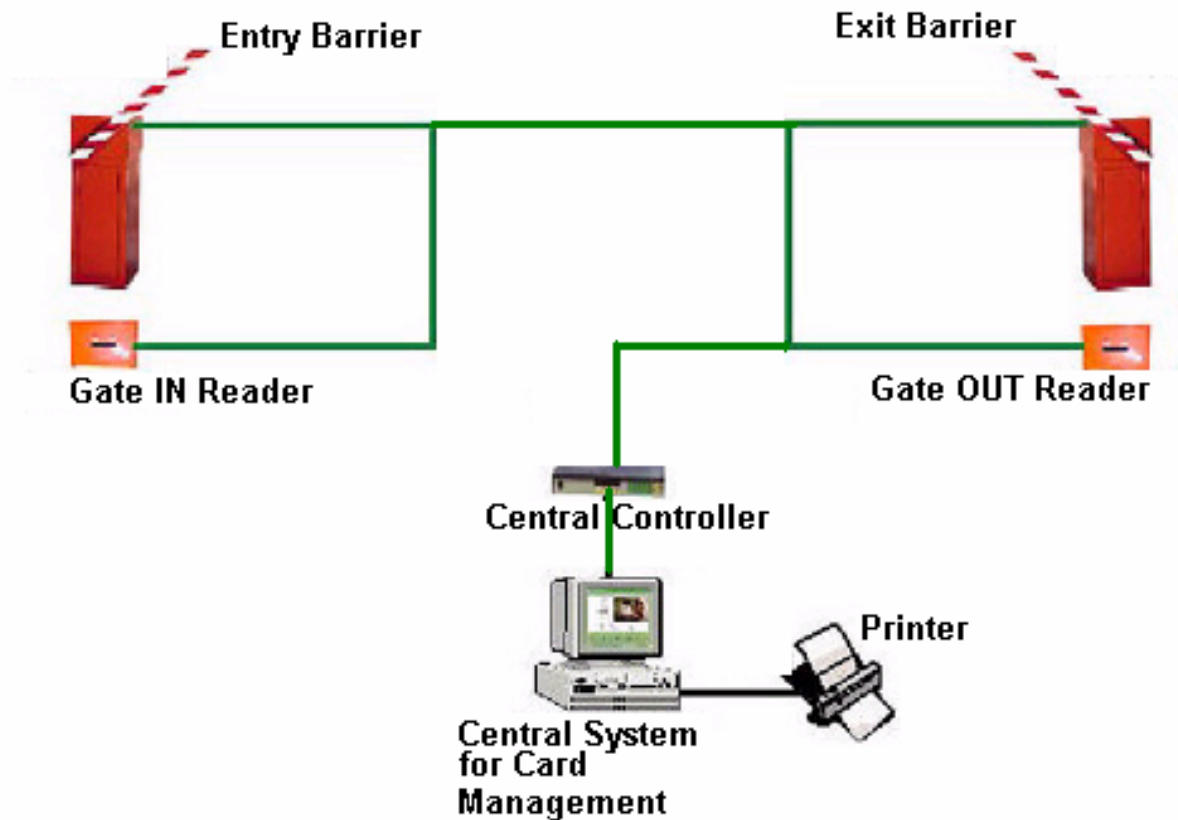
- Trap the Elevator, if anybody Urinate inside the Lift.
- Alert the Security Guard, after the Lift trapped.

Elevator Vandalism Protection System

Vandalism Detector Features

- If anybody try to open the Car Operating Panel (COP) of the Elevator, a Signal will trigger the Alarm at the Security Guard and the Elevator automatically trapped.

Car Park Control System - Layout



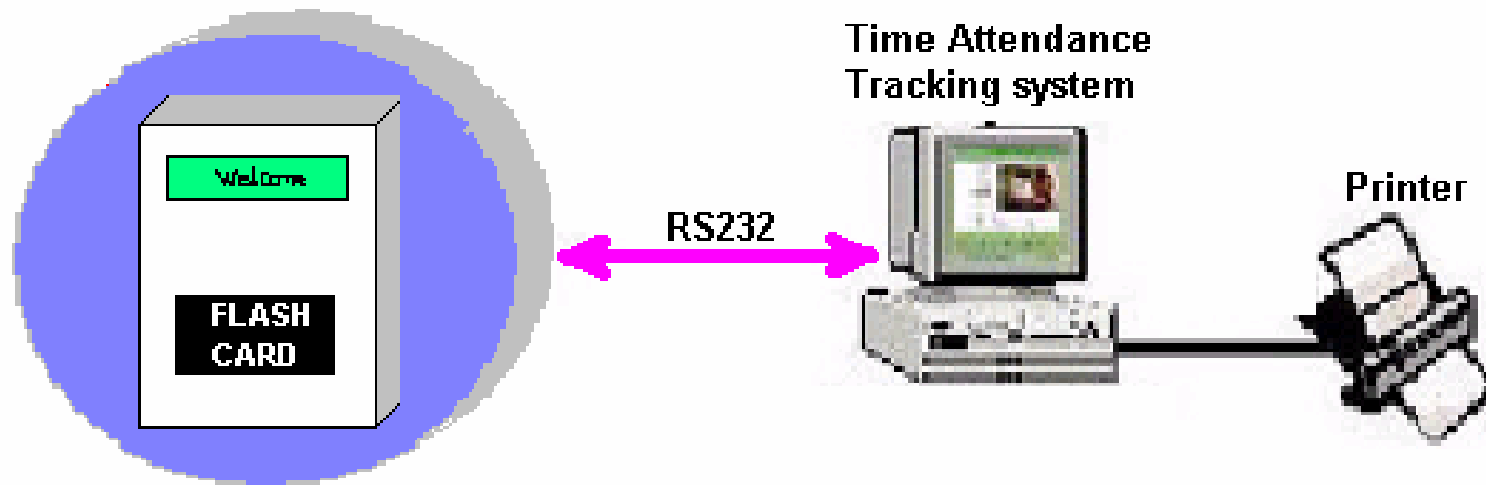
[Car Park Control System]

- *Features*

- Suitable for small car parks with 1 entry and 1 exit
- Stand-alone or networking operation with PC
- 2x16/2X20 characters LCD display programming usage
- Anti pass-back control
- Programming the Cards from PC Side.
- Transactions can be viewed or printed out using PC
- Stores 2000 card numbers
- Support Magnetic, Wiegand, Proximity, Smart Card.

Time Attendance System

- Layout



Time Attendance System

- Features

- Eliminates the need to have the conventional Punch Clock and to calculate the Time recorded on the Punch Card
- Reduces the Time for Pay roll Processing
- Built in Real Time Clock and Calendar Until year 2100
- Detailed Management Report on Time Attendance using ATTA™ Software
- Network through RS232

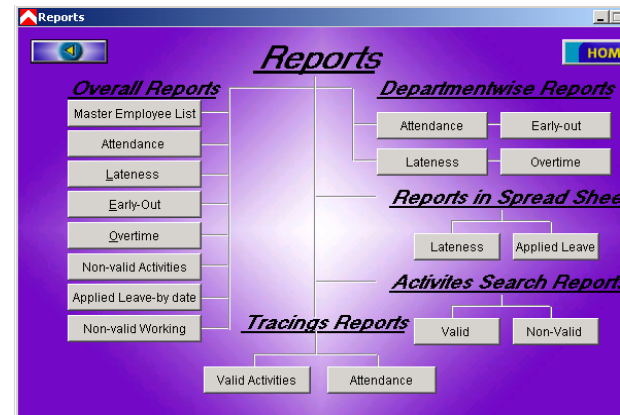
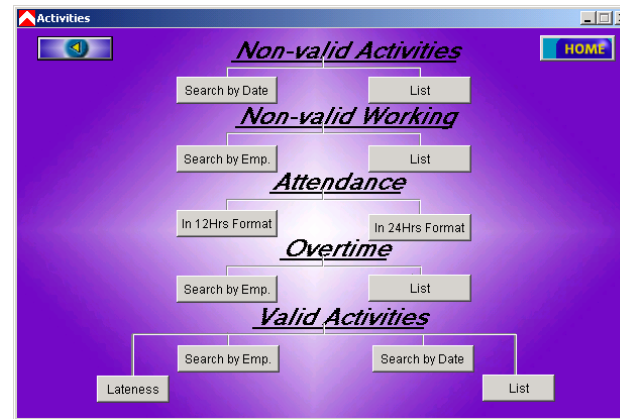
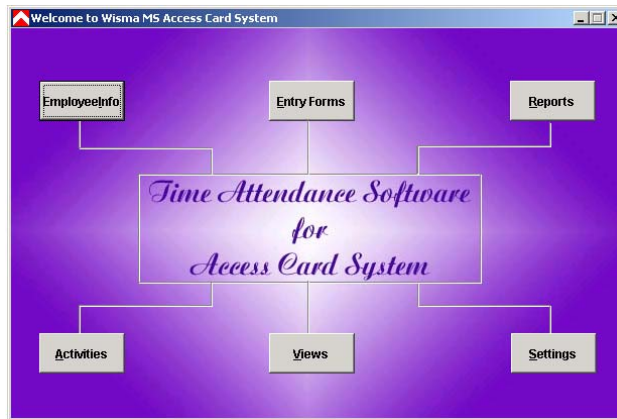
Time Attendance System

- *Software Features*

- Operates on all Microsoft® Windows 9x, 2000, XP Platform
- Automatic Time attendance tracking
- Multi-level password protection control
- Customizable time attendance report
- User friendly operation
- Extensive reporting
- Unlimited Cardholder storage capacity

Time Attendance System

- Sample screens



Time Attendance System

- Sample Report screens

Report Designer - attendance_report.frx - Page 1

Employee Attendance Report

From: 26/02/2003 Date: 26/02/2003
To: 26/02/2003 Time: 12:29:47

Empid:	Lastname:	Date	Time In	Time Out	Workhrs
Department:ACCF					
0013	BER LEE YOON	26/02/2003			
0016	ISHAIL BIN ALI	26/02/2003			
0137	TERENCE JUDE PAN	26/02/2003			
0198	TAN AICHEE	26/02/2003			
0249	NOORLEZA BT AHMAD YUSOF	26/02/2003			
0287	SAIRA BANU BT SYED FARU	26/02/2003			
0297	LOW WENG HONG	26/02/2003			
0441	AZEAH BT ABD AZIZ	26/02/2003			
0467	ADRIN STEPHEN A/L STEPHEN GOMEZ	26/02/2003			
0544	INDERJIT SINGH KHALAE	26/02/2003			
0548	TAN YEN YEN	26/02/2003			
0559	AW TING CHIN	26/02/2003			
0566	CHUA HUEY YNG	26/02/2003			

Report Designer - latenessreport_all.frx - Page 1

Employee Lateness Report

From: 26/02/2002 Date: 26/02/2002
To: 26/02/2002 Time: 12:31:23

EMPLD	LASTNAME	DATE	TIME IN	LATENESS
0041	LIM CHOON CHIOK	26/02/2002	10:05:28 AM	3'51"
0055	LOONG CHENG FUN	26/02/2002	08:18:28 PM	0'18"
0097	RICHARD OH	26/02/2002	09:08:05 AM	0'0"
0088	NG KAM PAI	26/02/2002	09:43:48 AM	0'42"
0113	ARUMUGAM A/L KANAGASABAI	26/02/2002	10:48:53 AM	1'48"
0183	PATHMA A/P K.MUNILANDY	26/02/2002	10:18:04 AM	1'18"
0221	CHAN WING ONN	26/02/2002	10:28:33 AM	1'28"
0223	AMIT BAHRAIN BIN ABDUL CHANI	26/02/2002	09:17:56 AM	0'17"
0228	ABD HALIM BIN TAHIR	26/02/2002	09:12:00 AM	0'12"
0270	PACHAPPAN A/L NANJAPPAN	26/02/2002	09:13:25 AM	0'13"
0285	ABDUL AZIZ BIN ISMAIL			

[THANK YOU]

Please visit our web site
www.msee.com.my